

Features

1. Brass-sintering of multi-aperture global body.
2. Sintered brass makes durable tolerance.
Slight and compact design for mounting ease.
3. Best applying for miniature solenoid valve and air actuated valve.

Symbol



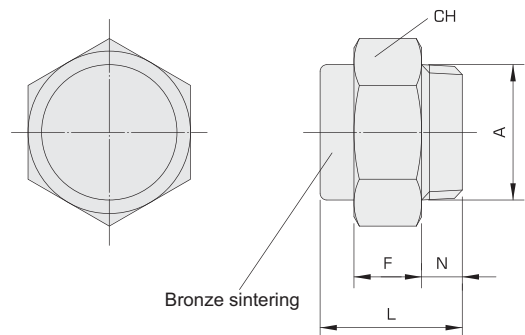
Specification

Series	STM5	ST01	ST02	ST03	ST04	ST06	ST10	SUM5	SU01	SU02	SU03	SU04	SU06	SU10	
Operating fluid	Compressed air							Compressed air							
Port size	M5	PT1/8"	PT1/4"	PT3/8"	PT1/2"	PT3/4"	PT1"	M5	PT1/8"	PT1/4"	PT3/8"	PT1/2"	PT3/4"	PT1"	
Operating pressure	0~0.9MPa(0~9.2kgf/cm ²)							0~0.9MPa(0~9.2kgf/cm ²)							
Proof pressure	1.3MPa(13.3kgf/cm ²)							1.3MPa(13.3kgf/cm ²)							
Temperature range	5°C ~ 150°C							5°C ~ 150°C							
Material	Body	Brass							Brass						
	Filter	Bronze sintering (bore 40µm)							Bronze sintering (bore 40µm)						
Effective area	12mm ²	19mm ²	50mm ²	103mm ²	153mm ²	180mm ²	210mm ²	7mm ²	19mm ²	63mm ²	103mm ²	153mm ²	178mm ²	203mm ²	
Silent efficiency	4dB	5dB	6dB	25dB	8dB	9dB	11dB	18dB	14dB	13dB	14dB	11dB	11dB	10dB	
Weight	4.5g	5.5g	12g	16.5g	33.5g	38g	43.5g	3g	8g	15g	24g	42g	49g	60g	

External dimensions

● Plane type

Series	Port size	N	F	L	CH
STM5	M5	3	5	9.5	8
ST01	PT1/8"	4	6	12	12
ST02	PT1/4"	4	8	15	17
ST03	PT3/8"	5	9	17	19
ST04	PT1/2"	6	10	18.5	24
ST06	PT3/4"	8	10	21	30
ST10	PT1"	8	12	23	36



● Convex type

Series	Port size	D1	D2	N	F	L	H	CH
SUM5	M5	5	4	3	5	12	20	8
SU01	PT1/8"	8	7	4	6	14	24	12
SU02	PT1/4"	12	10	4	8	18	30	17
SU03	PT3/8"	14	11	5	9	21	35	19
SU04	PT1/2"	19	15	6	10	28	44	24
SU06	PT3/4"	25	20	8	10	32	50	30
SU10	PT1"	30	25	8	12	43	63	36

