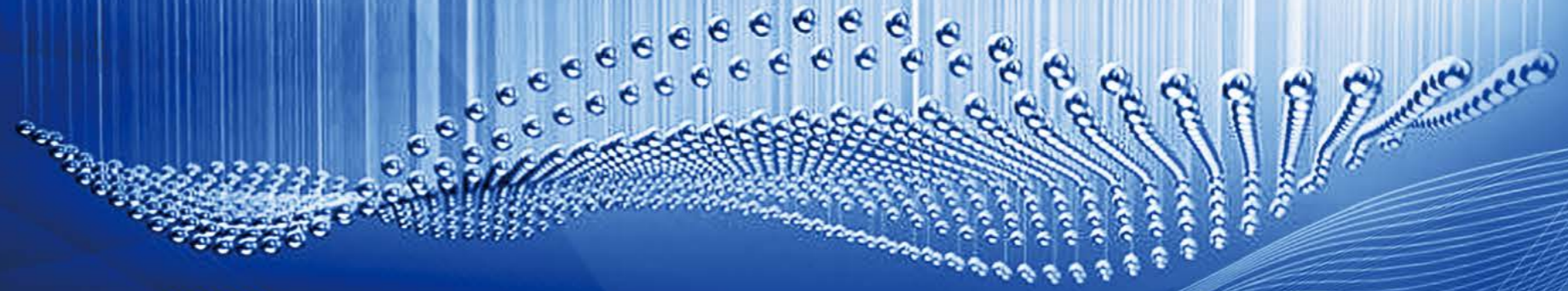


Products Display



200YS-K15FWJ373
37kw



225YS-K15FWJ553
55kw



71YS-K15FWJ751
0.75kw



90YS-K15FWJ152
1.5kw



112YS-K15FWJ402
4kw



250YS-K15FWJ753
75kw



280YS-K15FWJ134
132kw

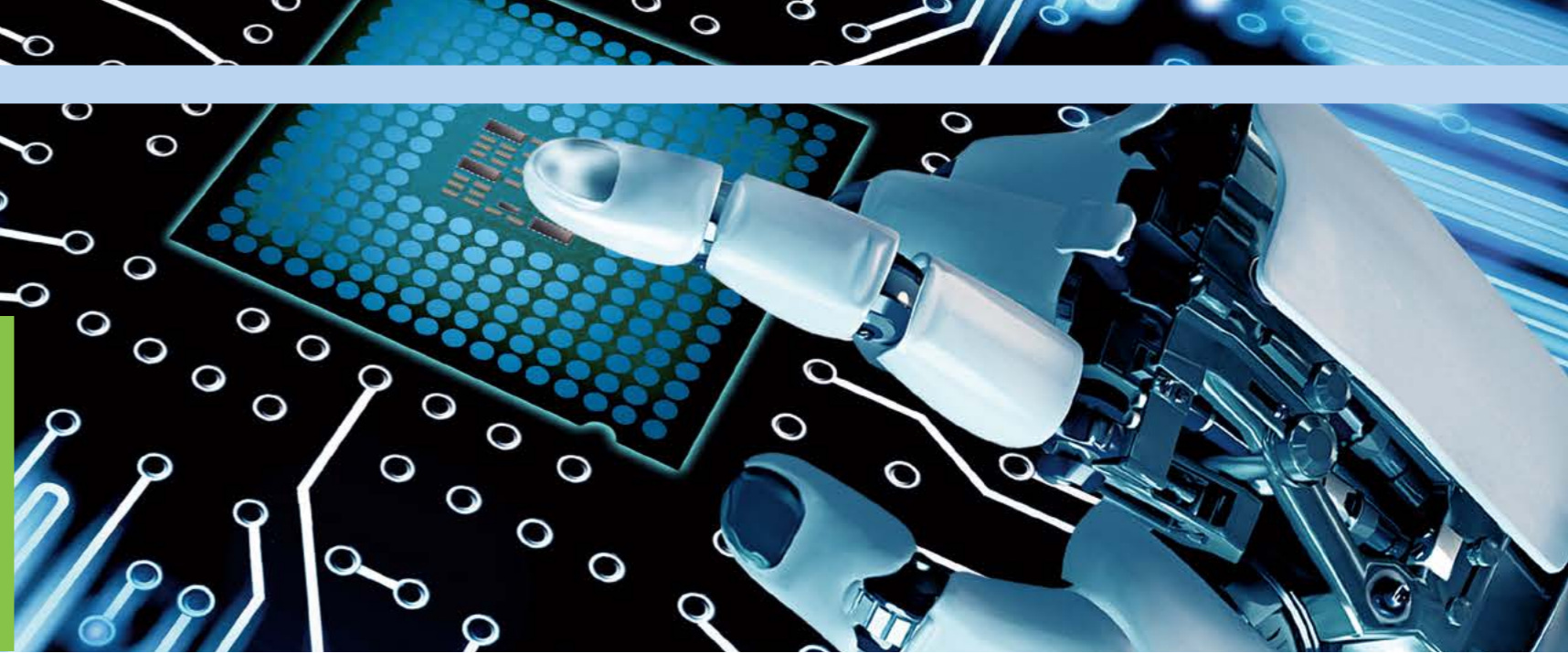


132YS-K15FWJ113
11kw



160YS-K15FWJ183
18.5kw

Technique Specification And Mounting Dimension



Model	Order Code	Rated power KW	Frame Size	Rated rotation speed	Rated frequency Hz	Rated torque Nm	Rated current A	Efficiency %	Weight Kg
71YS-K15FWJ751	0715□	0.75	71	1500	50	4.8	1.7	85.6	7.2
71YS-K15FWJ112	1115□	1.1	71			7	2.5	87.4	10.5
90YS-K15FWJ152	1515□	1.5	90S			9.6	3.3	88.1	14
90YS-K15FWJ222	2215□	2.2	90S			14	4.7	89.7	17
90YS-K15FWJ302	3015□	3	90L			19.1	6.4	90.3	21
112YS-K15FWJ402	4015□	4	112			25.5	8.6	90.9	24
112YS-K15FWJ552	5515□	5.5	112			35	11.6	92.1	30
112YS-K15FWJ752	7515□	7.5	112			47.8	16	92.6	36
132YS-K15FWJ113	11015□	11	132S			70	22.6	93.6	57
132YS-K15FWJ153	15015□	15	132M			95.5	30.9	94	72
160YS-K15FWJ183	18515□	18.5	160S		117.8	37.8	94.3	97	
160YS-K15FWJ223	22015□	22	160S		140	45	94.7	106	
160YS-K15FWJ303	30015□	30	160L		191	61	95	135	
200YS-K15FWJ373	37015□	37	200L		235.6	74	95.3	220	
200YS-K15FWJ453	45015□	45	200L		286.5	92	95.6	260	
225YS-K15FWJ553	55015□	55	225S		350	114	95.8	340	
250YS-K15FWJ753	75015□	75	250M		477.5	155	96	350	
250YS-K15FWJ903	90015□	90	250M		573	188	96.2	400	
280YS-K15FWJ114	110015□	110	280M		700	225	96.3	610	
280YS-K15FWJ134	132015□	132	280M		840	270	96.3	650	

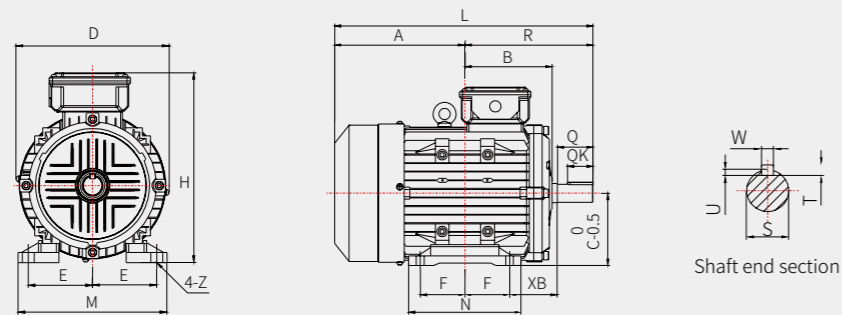
Model	Order Code	Rated power KW	Frame Size	Rated rotation speed	Rated frequency Hz	Rated torque Nm	Rated current A	Efficiency %	Weight Kg
71YS-K30FWJ751	0730□	0.75	71	3000	100	2.4	1.7	88.6	5.4
71YS-K30FWJ112	1130□	1.1	71			3.5	2.5	89.8	8
90YS-K30FWJ152	1530□	1.5	90S			4.8	3.3	90.9	10
90YS-K30FWJ222	2230□	2.2	90S			7	4.7	91.8	14
90YS-K30FWJ302	3030□	3	90L			9.6	6.4	92.6	14
112YS-K30FWJ402	4030□	4	112			12.8	8.6	93.3	20
112YS-K30FWJ552	5530□	5.5	112			17.5	11.6	94	23
112YS-K30FWJ752	7530□	7.5	112			23.9	16	94.5	23
132YS-K30FWJ113	11030□	11	132S			35	22.6	95	40
132YS-K30FWJ153	15030□	15	132M			47.8	30.9	95.3	40
132YS-K30FWJ153	18530□	18.5	160S		59	37.8	95.6	70	
160YS-K30FWJ223	22030□	22	160S		70	45	95.9	70	
160YS-K30FWJ303	30030□	30	160L		95.5	61	96.1	83	
200YS-K30FWJ373	37030□	37	200L		117.8	74	96.3	197	
200YS-K30FWJ453	45030□	45	200L		143.3	92	96.4	197	
225YS-K30FWJ553	55030□	55	225S		175	114	96.5	246	
250YS-K30FWJ753	75030□	75	250M		238.8	155	96.6	310	
250YS-K30FWJ903	90030□	90	250M		286.5	188	96.7	310	
280YS-K30FWJ114	110030□	110	280M		350	225	96.8	450	
280YS-K30FWJ134	132030□	132	280M		420	270	96.8	500	

Note: "□" in ordering number shall be filled with installation mode: B3, B5, B35.



B3 Mounting

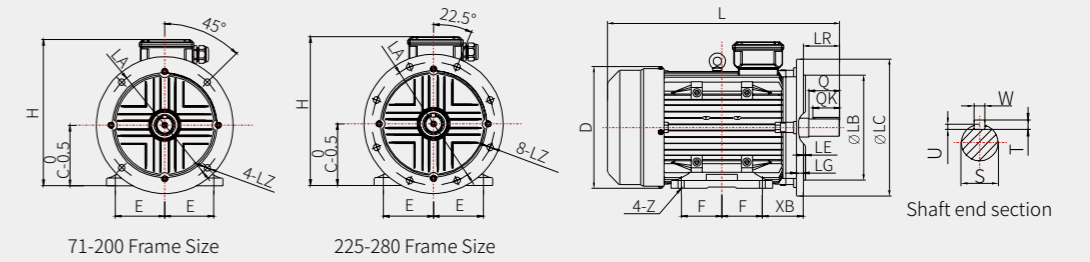
Fig. 1



Frame Size	Rated power Kw	Drawing No.	Dimensions (mm)																	Hanger		
			A	B	C	D	E	F	H	L	M	N	Q	QK	R	S	T	U	W		XB	Z
71	0.75,1.1	Fig. 1	135	88	71	144	56	45	183	255	140	115	30	20	120	14	5	3	5	45	8X12	/
90S	1.5,2.2	Fig. 1	151	103	90	174	70	50	220	307	175	130	50	32	156	24	7	4	8	56	10X15	/
90L	3	Fig. 1	163.5	115.5	90	174	70	62.5	220	332	175	155	50	32	168.5	24	7	4	8	56	10X15	/
112	4,5,5,7,5	Fig. 1	204	136.5	112	226	95	70	281	404	220	176	60	40	200	28	7	4	8	70	12X18	exist
132S	11	Fig. 1	230	156	132	267	108	70	321	468	255	180	80	63	238	38	8	5	10	89	13X20	exist
132M	15	Fig. 1	250	176	132	267	108	89	321	508	255	220	80	63	258	38	8	5	10	89	13X20	exist
160S	18.5,22	Fig. 1	280	197	160	315	127	105	407	603	302	259	110	80	323	42	8	5	12	108	15X18	exist
160L	30	Fig. 1	302	219	160	315	127	127	407	647	302	303	110	80	345	42	8	5	12	108	15X18	exist
200L	37,45	Fig. 1	365	276.5	200	400	159	152.5	505	759	388	369	110	100	395.5	55	10	6	16	133	19	exist
225S	55	Fig. 1	373	282.5	225	445	178	143	556	805	444	372	140	110	432	60	11	7	18	149	19	exist
250M	75,90	Fig. 1	457.5	311	250	481	203	174.5	605	940	484	445	140	125	482.5	65	11	7	18	168	24	exist
280M	110,132	Fig. 1	493	392	280	545	228.5	209.5	665	1035	545	545	140	125	539.5	75	12	7.5	20	190	24	exist

B35 Mounting

Fig. 2

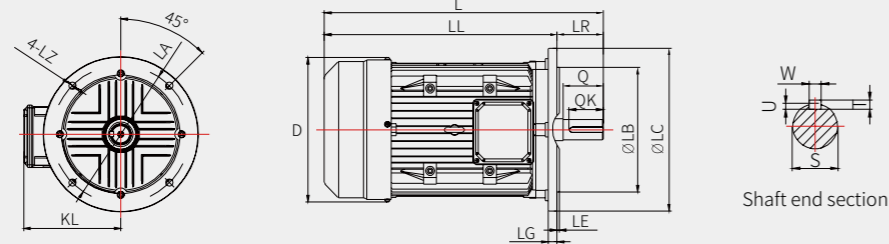


Frame Size	Flange No.	Rated power Kw	Drawing No.	Dimensions (mm)																	Hanger				
				LA	LB	LC	LE	LG	LZ	C	D	E	F	H	XB	L	LR	S	W	U		T	Q	QK	Z
71	FF130	0.75,1.1	Fig. 2	130	110	160	3	11	10	71	144	56	45	183	45	255	30	14	5	3	5	30	20	8X12	/
90S	FF165	1.5,2.2	Fig. 2	165	130	200	3	12	12	90	174	70	50	220	56	307	50	24	8	4	7	50	32	10X15	/
90L		3	Fig. 2	165	130	200	3	12	12	90	174	70	62.5	220	56	332	50	24	8	4	7	50	32	10X15	/
112	FF215	4,5,5,7,5	Fig. 2	215	180	250	4	15	15	112	226	95	70	281	70	404	60	28	8	4	7	60	40	12X18	exist
132S	FF265	11	Fig. 2	265	230	300	4	16	15	132	267	108	70	321	89	468	80	38	10	5	8	80	63	13X20	exist
132M		15	Fig. 2	265	230	300	4	16	15	132	267	108	89	321	89	508	80	38	10	5	8	80	63	13X20	exist
160S	FF300	18.5,22	Fig. 2	300	250	350	5	16	18	160	315	127	105	407	108	603	110	42	12	5	8	110	80	15X18	exist
160L		30	Fig. 2	300	250	350	5	16	18	160	315	127	127	407	108	647	110	42	12	5	8	110	80	15X18	exist
200L	FF350	37,45	Fig. 2	350	300	400	5	17	19	200	400	159	152.5	505	133	759	110	55	16	6	10	110	100	19	exist
225S	FF400	55	Fig. 2	400	350	450	5	20	19	225	445	178	143	556	149	805	140	60	18	7	11	140	110	19	exist
250M	FF500	75,90	Fig. 2	500	450	550	5	22	19	250	481	203	174.5	605	168	940	140	65	18	7	11	140	125	24	exist
280M		110,132	Fig. 2	550	450	550	5	22	19	280	545	228.5	209.5	665	190	1035	140	75	20	7.5	12	140	125	24	exist



B5 Mounting

Fig. 3



Frame Size	Flange No.	Rated power Kw	Drawing No.	Dimensions (mm)																	
				LA	LB	LC	LE	LG	LZ	D	L	LL	KL	LR	S	W	U	T	Q	QK	Hanger
71	FF130	0.75,1.1	Fig. 3	130	110	160	3	11	10	144	255	225	112	30	14	5	3	5	30	20	/
90S	FF165	1.5,2.2	Fig. 3	165	130	200	3	12	12	174	307	257	131	50	24	8	4	7	50	32	/
90L		3	Fig. 3	165	130	200	3	12	12	174	332	282	131	50	24	8	4	7	50	32	/
112	FF215	4,5,5,7,5	Fig. 3	215	180	250	4	15	15	226	404	344	168	60	28	8	4	7	60	40	exist
132S	FF265	11	Fig. 3	265	230	300	4	16	15	267	468	388	189	80	38	10	5	8	80	63	exist
132M		15	Fig. 3	265	230	300	4	16	15	267	508	428	189	80	38	10	5	8	80	63	exist
160S	FF300	18,5,22	Fig. 3	300	250	350	5	16	18	315	603	493	248	110	42	12	5	8	110	80	exist
160L		30	Fig. 3	300	250	350	5	16	18	315	647	537	248	110	42	12	5	8	110	80	exist

Maximum torque	150%TN 45S	
Temperature rise	<65K	
Efficiency grade	IE4 (Requirement of Grade 1 GB30253-2013)	
Protection grade	IP55	
Cooling mode	IC411, IC416	
Insulation class	F	
Mounting	IMB3/IMB5/IMB35	
Environment conditions	Temperature and humidity	Below -15°C-40°C;90%RH
	Storage environment	Below -15°C-40°C;90%RH
	Altitude	<1000m
	Vibration	<4.9m/s ²

Note: Rated voltage standard of product is 400V. Additional notice is needed when required by customers.