

Features

1. The metal part of body is made up of brass. It has nickel-plating surface and beautiful exterior.
2. The fitting is with thread sealant, so there is no need to use seal tape. This eco-friendly application is time-saving for pipe assembly, which result in the maximum effect.
3. The claw is made up of stainless steel to keep using for a long time without elastic exhaustion.

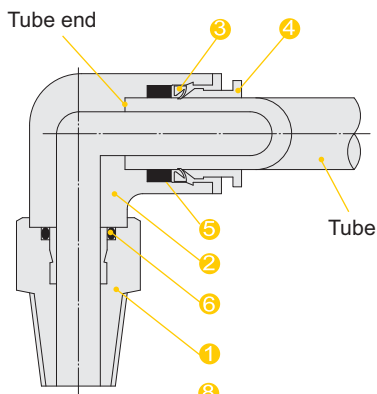


How to order

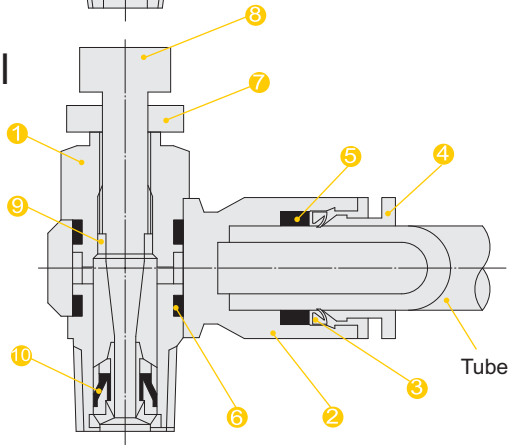
ZC		C	A	06	03
Series		Model	Control type	Applicable tubing O.D.	Thread
ZC	One-touch fitting	* For detail model, please refer to the following pages	A Meter in	04 Ø4mm	M5 M5X0.8
ZD	Metal fitting		B Meter out	06 Ø6mm	01 R1/8
ZE	Stainless steel fitting			08 Ø8mm	02 R1/4
				10 Ø10mm	03 R3/8
				12 Ø12mm	04 R1/2

Internal construction

Fitting



Flow control



Part lists

NO.	Description	Material
1	Metallic body	Brass(nickel plated)
2	Resinous body	Polyethylene terephthalate
3	Chuck	Stainless steel
4	Release button	Brass(nickel plated)
5	Seal	NBR
6	O-ring	NBR

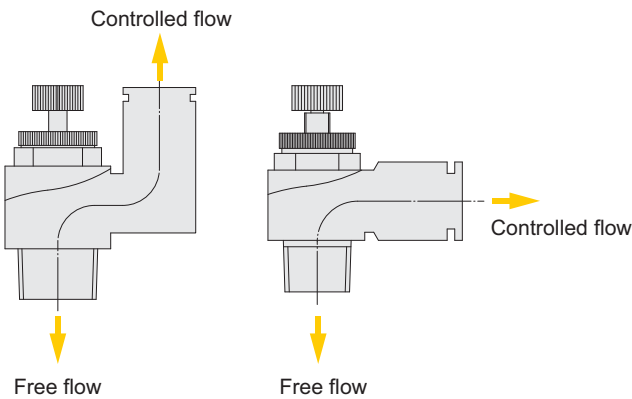
NO.	Description	Material
1	Metallic body	Brass(nickel plated)
2	Resinous body	Polyethylene terephthalate
3	Chuck	Stainless steel
4	Release button	Brass(nickel plated)
5	Seal	NBR
6	O-ring	NBR
7	Lock nuts	Aluminium alloy
8	Needle	Brass
9	V packing	NBR
10	Diaphragm	

Internal construction

● Meter-out control

Straight type
ZCSA

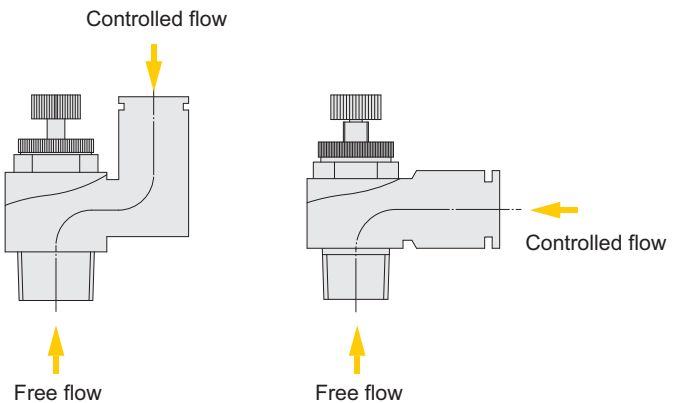
Elbow type
ZCCA



● Meter-in control

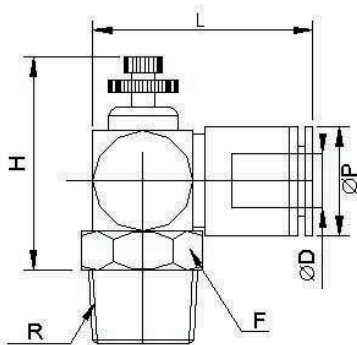
Straight type
ZCSB

Elbow type
ZCCB



External dimensions

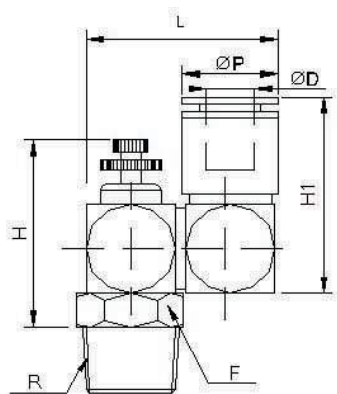
● ZCCA Speed control fitting(elbow) meter out



Model	ØD	R	F	ØP	L	H
ZCCA-04-M5	4	M5x0.8	8	10	23	30
ZCCA-04-01		1/8	10			31
ZCCA-04-02		1/4	14			31
ZCCA-06-M5	6	M5x0.8	8	12	23.5	30
ZCCA-06-01		1/8	12		26.5	34
ZCCA-06-02		1/4	14			
ZCCA-06-03		3/8	17		30	38
ZCCA-06-04		1/2	21			
ZCCA-08-01	8	1/8	14	14	31	38
ZCCA-08-02		1/4				
ZCCA-08-03		3/8	17			
ZCCA-08-04		1/2	21			
ZCCA-10-01	10	1/8	19	19	36	46
ZCCA-10-02		1/4				
ZCCA-10-03		3/8				
ZCCA-10-04		1/2				
ZCCA-12-02	12	1/4	19	19	36	46
ZCCA-12-03		3/8				
ZCCA-12-04		1/2				

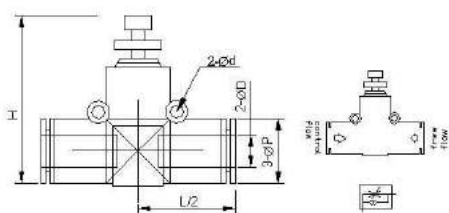
External dimensions

- ZCSA Speed control fitting(Universal)
meter out



Model	ØD	R	F	ØP	L	H	H1
ZCSA-04-M5	4	M5x0.8	8	10	23	30	23
ZCSA-04-01		1/8	10			31	
ZCSA-04-02		1/4	14			31	
ZCSA-06-M5	6	M5x0.8	8	14	23.5	30	23.5
ZCSA-06-01		1/8	12		26.5	34	26.5
ZCSA-06-02		1/4	14		30	38	30
ZCSA-06-03		3/8	17				
ZCSA-06-04	1/2	21	31	31			
ZCSA-08-01	8	1/8	14	19	36	46	36
ZCSA-08-02		1/4					
ZCSA-08-03		3/8	17				
ZCSA-08-04		1/2	21				
ZCSA-10-01	10	1/8	19	19	36	46	36
ZCSA-10-02		1/4					
ZCSA-10-03		3/8	19				
ZCSA-10-04		1/2	21				
ZCSA-12-02	12	1/4	19	19	36	46	36
ZCSA-12-03		3/8					
ZCSA-12-04		1/2	21				

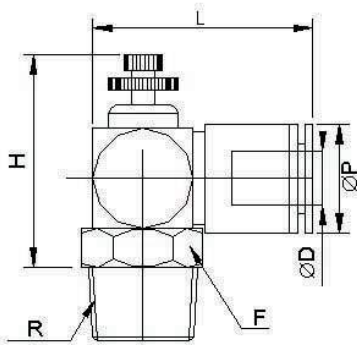
- ZCU Speed control fitting (In-line)
meter out



Model	ØD	ØP	L/2	H	Ød
ZCU-04	4	12	19.5	34.7	4.3
ZCU-06	6	14	21	38.1	
ZCU-08	8	16	27	46.5	
ZCU-10	10	21	37.5	48.8	
ZCU-12	12	21	37.5	48.8	

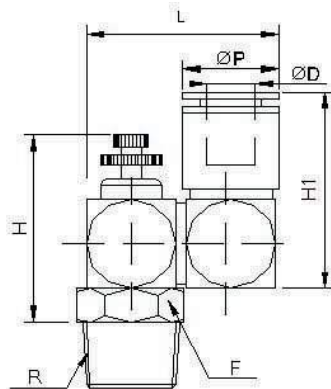
External dimensions

● ZCCB Speed control fitting(elbow)
meter in



Model	ØD	R	F	ØP	L	H
ZCCB-04-M5	4	M5x0.8	8	10	23	30
ZCCB-04-01		1/8	10			31
ZCCB-04-02		1/4	14			
ZCCB-06-M5	6	M5x0.8	8	12	23.5	30
ZCCB-06-01		1/8	12		26.5	34
ZCCB-06-02		1/4	14			
ZCCB-06-03		3/8	17		30	
ZCCB-06-04		1/2	21	14		
ZCCB-08-01	8	1/8	14	19	31	38
ZCCB-08-02		1/4				
ZCCB-08-03		3/8	17			
ZCCB-08-04		1/2	21			
ZCCB-10-01	10	1/8	19	19	36	46
ZCCB-10-02		1/4				
ZCCB-10-03		3/8				
ZCCB-10-04		1/2	21			
ZCCB-12-02	12	1/4	19	19	36	46
ZCCB-12-03		3/8				
ZCCB-12-04		1/2	21			

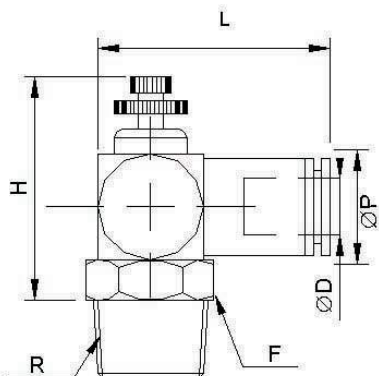
● ZCSB Speed control fitting(Universal)
meter in



Model	ØD	R	F	ØP	L	H	H1
ZCSB-04-M5	4	M5x0.8	8	10	23	30	23
ZCSB-04-01		1/8	10			31	
ZCSB-04-02		1/4	14				
ZCSB-06-M5	6	M5x0.8	8	12	23.5	30	23.5
ZCSB-06-01		1/8	12		26.5	34	26.5
ZCSB-06-02		1/4	14				
ZCSB-06-03		3/8	17		30		30
ZCSB-06-04		1/2	21	14			
ZCSB-08-01	8	1/8	14	19	31	38	31
ZCSB-08-02		1/4					
ZCSB-08-03		3/8	17				
ZCSB-08-04		1/2	21				
ZCSB-10-01	10	1/8	19	19	36	46	36
ZCSB-10-02		1/4					
ZCSB-10-03		3/8					
ZCSB-10-04		1/2	21				
ZCSB-12-02	12	1/4	19	19	36	46	36
ZCSB-12-03		3/8					
ZCSB-12-04		1/2	21				

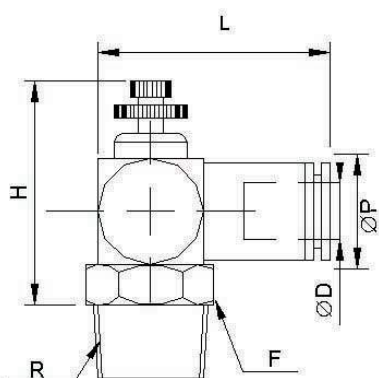
External dimensions

**ZDCA Speed control fitting(Metal)
meter out**



Model	ØD	R	F	ØP	L	H
ZDCA-04-M5	4	M5x0.8	8	10	23	30
ZDCA-04-01		1/8	10			31
ZDCA-04-02		1/4	14			31
ZDCA-06-M5	6	M5x0.8	8	12	23.5	30
ZDCA-06-01		1/8	12			34
ZDCA-06-02		1/4	14			
ZDCA-06-03		3/8	17			30
ZDCA-06-04	1/2	21	14	31	38	
ZDCA-08-01	8	1/8	14	14	31	38
ZDCA-08-02		1/4				
ZDCA-08-03		3/8	17			
ZDCA-08-04		1/2	21			
ZDCA-10-01	10	1/8	19	19	36	46
ZDCA-10-02		1/4				
ZDCA-10-03		3/8				
ZDCA-10-04		1/2				
ZDCA-12-02	12	1/4	19	19	36	46
ZDCA-12-03		3/8				
ZDCA-12-04		1/2				

**ZDCB Speed control fitting(Metal)
meter in**



Model	ØD	R	F	ØP	L	H
ZDCB-04-M5	4	M5x0.8	8	10	23	30
ZDCB-04-01		1/8	10			31
ZDCB-04-02		1/4	14			31
ZDCB-06-M5	6	M5x0.8	8	12	23.5	30
ZDCB-06-01		1/8	12			34
ZDCB-06-02		1/4	14			
ZDCB-06-03		3/8	17			30
ZDCB-06-04	1/2	21	14	31	38	
ZDCB-08-01	8	1/8	14	14	31	38
ZDCB-08-02		1/4				
ZDCB-08-03		3/8	17			
ZDCB-08-04		1/2	21			
ZDCB-10-01	10	1/8	19	19	36	46
ZDCB-10-02		1/4				
ZDCB-10-03		3/8				
ZDCB-10-04		1/2				
ZDCB-12-02	12	1/4	19	19	36	46
ZDCB-12-03		3/8				
ZDCB-12-04		1/2				

How to order

ZP

C

06

03

Series	
ZP	One-touch fitting
ZK	Metal fitting
ZS	Stainless steel fitting

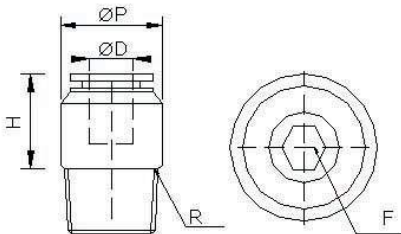
Model
 ※ For detail model, please refer to the following pages

Applicable tubing O.D.	
04	Ø4mm
06	Ø6mm
08	Ø8mm
10	Ø10mm
12	Ø12mm

Thread	
M5	M5X0.8
01	R1/8
02	R1/4
03	R3/8
04	R1/2

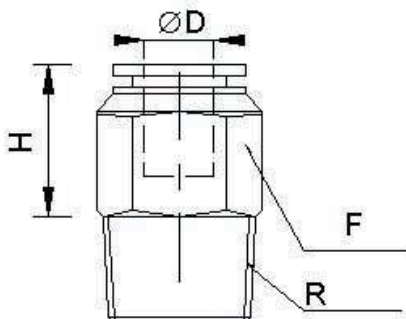
External dimensions

● ZPOC hex. socket head male connector



Model	ØD	R	ØP	H	F
ZPOC-04-M5	4	M5x0.8	8	17	2
ZPOC-04-01		1/8	10	9.5	3
ZPOC-04-02		1/4	14	10.5	
ZPOC-06-M5	6	M5x0.8	10	17	2
ZPOC-06-01		1/8		13	4
ZPOC-06-02		1/4	14	19	5

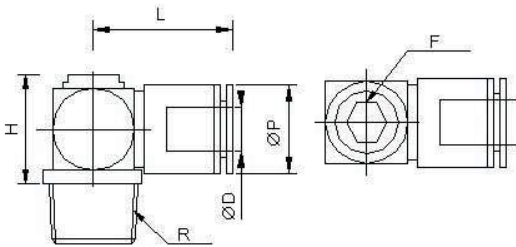
● ZPC male connector



Model	ØD	R	F	H
ZPC-04-M5	4	M5x0.8	8	17
ZPC-04-01		1/8	10	9.5
ZPC-04-02		1/4	14	10.5
ZPC-06-M5	6	M5x0.8	10	17
ZPC-06-01		1/8		13
ZPC-06-02		1/4	14	9.5
ZPC-06-03		3/8		
ZPC-08-01	8	1/8	12	16
ZPC-08-02		1/4	14	13
ZPC-08-03		3/8	17	10
ZPC-08-04		1/2	21	10.5
ZPC-10-01	10	1/8	14	18
ZPC-10-02		1/4		
ZPC-10-03		3/8	17	13.5
ZPC-10-04		1/2	21	10.5
ZPC-12-02	12	1/4	17	18
ZPC-12-03		3/8		13.5
ZPC-12-04		1/2	21	10.5

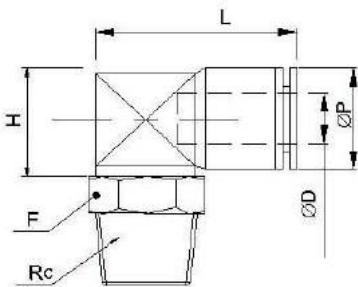
External dimensions

● ZPOL hex. socket head univeral male elbow



Model	ØD	R	F	ØP	L	H	
ZPOL-04-M5	4	M5x0.8	3	10	19	15	
ZPOL-04-01		1/8				14	
ZPOL-04-02		1/4				14	
ZPOL-06-M5	6	M5x0.8	4	12	19.5	15	
ZPOL-06-01		1/8				14	
ZPOL-06-02		1/4				21	17
ZPOL-06-03		3/8			22.5	21	
ZPOL-08-01	8	1/8	4	14	21	17	
ZPOL-08-02		1/4				21	17
ZPOL-08-03		3/8				22.5	21
ZPOL-10-01	10	1/8	6	16	24	21	
ZPOL-10-02		1/4				21	21
ZPOL-10-03		3/8				21	21
ZPOL-12-02	12	1/4	8	19	26.5	25	
ZPOL-12-03		3/8				25	25

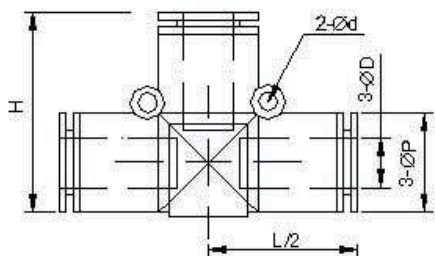
● ZPLM elbow - miniature



Model	ØD	R	F	ØP	L	H	
ZPLM-04-M5	4	M5x0.8	8	10	21	10.5	
ZPLM-04-01		1/8	10				
ZPLM-04-02		1/4	14				
ZPLM-06-M5	6	M5x0.8	10	12	24	12.5	
ZPLM-06-01		1/8					14
ZPLM-06-02		1/4					14
ZPLM-06-03		3/8	17				
ZPLM-08-01	8	1/8	14	14	26	14.5	
ZPLM-08-02		1/4					14
ZPLM-08-03		3/8					17
ZPLM-10-02	10	1/4	14	16	29	16.5	
ZPLM-10-03		3/8					17
ZPLM-10-04		1/2					21
ZPLM-12-02	12	1/4	17	21	31	19.5	
ZPLM-12-03		3/8					17
ZPLM-12-04		1/2					21

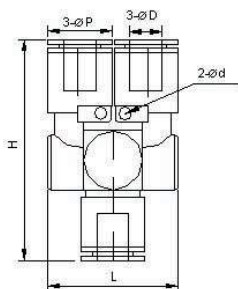
External dimensions

● ZPE union tee



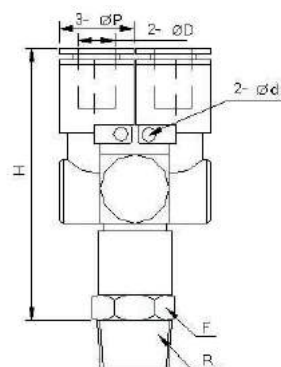
Model	ØD	ØP	L/2	H	Ød
ZPE-04	4	10	17	22.5	3.3
ZPE-06	6	12	19.5	25	4.3
ZPE-08	8	14	21	27	
ZPE-10	10	16	27	31	
ZPE-12	12	21	37.5	35.5	

● ZPY union Y (flexible)



Model	ØD	ØP	L	H	Ød
ZPY-04	4	10	25	45	3.3
ZPY-06	6	12	25	45	4.3
ZPY-08	8	14	29	47.5	
ZPY-10	10	16	34.5	55	

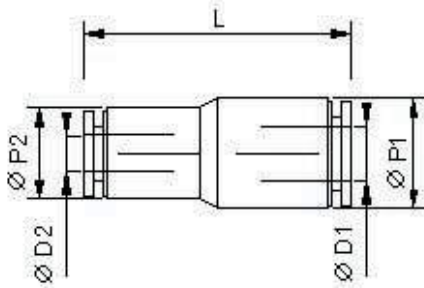
● ZPY branch Y (flexible)



Model	ØD	R	F	ØP	L	H	Ød				
ZPX-04-M5	4	M5x0.8	10	12	25	46	3.3				
ZPX-04-01		1/8				47					
ZPX-04-02		1/4	14			46					
ZPX-06-M5	6	M5x0.8	12			14		29	46	4.3	
ZPX-06-01		1/8							47		
ZPX-06-02		1/4	14						49		
ZPX-06-03		3/8	17	49							
ZPX-08-01	8	1/8	14	16	33.5		59		4.3		
ZPX-08-02		1/4									
ZPX-08-03		3/8									
ZPX-10-02	10	1/8	21			16		33.5		59	4.3
ZPX-10-03		1/4									
ZPX-10-04		1/2									

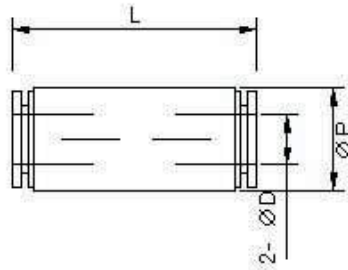
External dimensions

● ZPG different diameter straight



Model	$\varnothing D1$	$\varnothing D2$	$\varnothing P1$	$\varnothing P2$	L
ZPG-06-04	6	4	10	8	32.1
ZPG-08-06	8	6	12	10	32.6
ZPG-10-08	10	8	14	12	34.6
ZPG-12-10	12	10	17	14	37.1

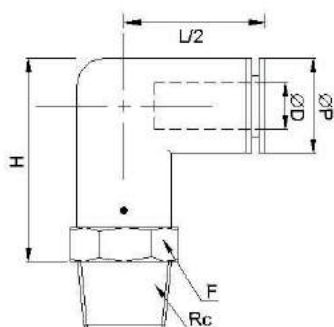
● ZPU straight union



Model	$\varnothing D$	$\varnothing P$	L
ZPU-04	4	8	31.6
ZPU-06	6	10	32.6
ZPU-08	8	12	
ZPU-10	10	14	36.6
ZPU-12	12	17	37.6

External dimensions

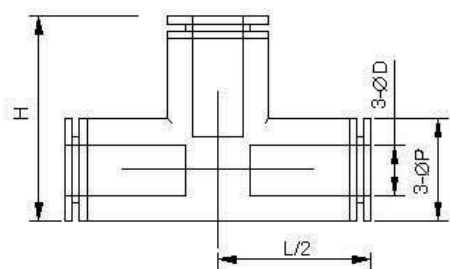
● **ZKL male elbow (metal)**



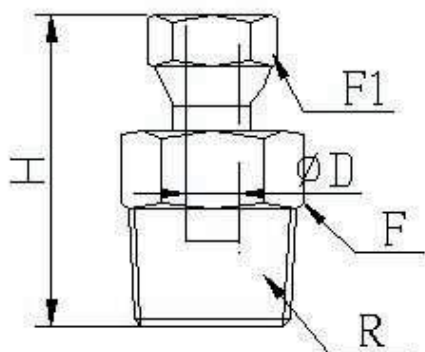
Model	ØD	R	F	ØP	L	H
ZKL-04-M5	4	M5x0.8	12	10	21	26
ZKL-04-01		1/8				27
ZKL-04-02		1/4	14			
ZKL-06-M5	6	M5x0.8	12	10	21	26
ZKL-06-01		1/8				27
ZKL-06-02		1/4	14			
ZKL-06-03		3/8	17			
ZKL-08-01	8	1/8	14	12	22	30
ZKL-08-02		1/4				
ZKL-08-03		3/8				
ZKL-10-02	10	1/4	17	14	23	32
ZKL-10-03		3/8				
ZKL-10-04		1/2	21			
ZKL-12-02	12	1/4	19	17	26.5	35
ZKL-12-03		3/8				
ZKL-12-04		1/2	21			

4

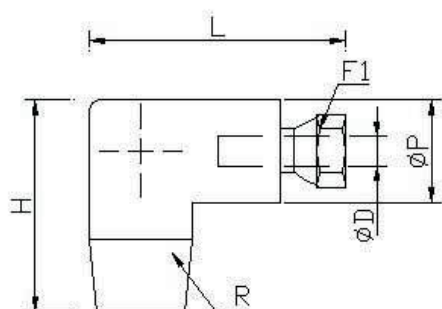
● **ZKE union tee (metal)**



Model	ØD	ØP	L/2	H
ZKE-04	4	10	18	23
ZKE-06	6	10	18	23
ZKE-08	8	12	19	25
ZKE-10	10	14	21	28
ZKE-12	12	17	26.5	35

External dimensions
● ZSSC male connector (stainless)


Model	ØD	R	F	H	F1
ZSSC-04-M5	4	M5x0.8	10	24.5	10
ZSSC-04-01		1/8			
ZSSC-04-02		1/4	14	26.5	
ZSSC-06-M5	6	M5x0.8	12	24.5	12
ZSSC-06-01		1/8			
ZSSC-06-02		1/4	14	26.5	
ZSSC-08-01	1/8				
ZSSC-08-02	1/4	17	28.5	17	
ZSSC-10-02	1/4				
ZSSC-10-03	3/8	19	30		19
ZSSC-12-02	1/4				
ZSSC-12-03	3/8				
ZSSC-12-04	1/2	21			

4
● ZSSL male elbow (stainless)


Model	ØD	R	ØP	H	L	F1
ZSSL-04-M5	4	M5x0.8	12	10	21	26
ZSSL-04-01		1/8				27
ZSSL-04-02		1/4	14			
ZSSL-06-M5	6	M5x0.8	12	23	31	12
ZSSL-06-01		1/8		27.8		
ZSSL-06-02		1/4	14	29	33	
ZSSL-08-01	8	1/8	14	29.5	39	14
ZSSL-08-02		1/4		29		
ZSSL-10-02	10	1/4	17	35	44	17
ZSSL-10-03		3/8				
ZSSL-12-02	12	1/4	19	43	49	19
ZSSL-12-03		3/8				
ZSSL-12-04		1/2	21			