



Specification

Series	KHZ
Action	Double acting, magnetic type
Bore	Ø10, Ø16, Ø20, Ø25
Operating fluid	Compressed air
Operating pressure	Ø10: 0.2 ~ 0.7MPa (2 ~ 7.1kgf/cm ²) Ø16 ~ Ø25: 0.1 ~ 0.7MPa (1 ~ 7.1kgf/cm ²)
Temperature range	-10°C ~ 60°C
Action tolerance	±0.1mm
Lubrication	Not required (If lubrication is required, use 1st sort of turbine oil equivalent of ISOVG32)
Max. Operating frequency	180 c.p.m

Features

1. Parallel switch: suitable for internal or external gripping.
2. Reed switches can be mounted to ensure the gripping of workpieces.
3. Non-lubricated seal and bearing are durable and easy to maintain.
4. Compact body made of aluminum alloy is hard anodized, thus resistant to erosion and abrasion.
5. Closing finger design to prevent objects from entering.
6. Resistant to lateral impact.

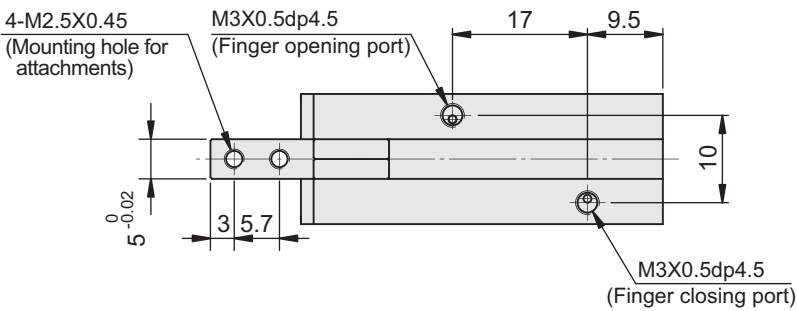
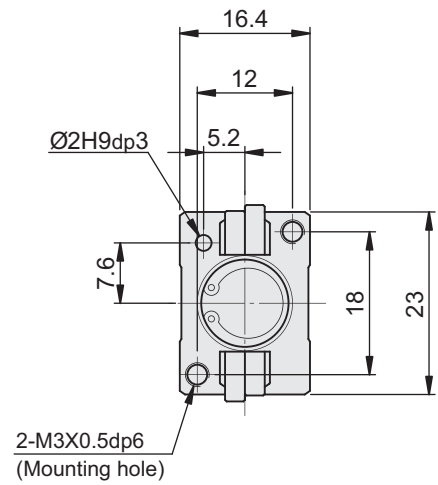
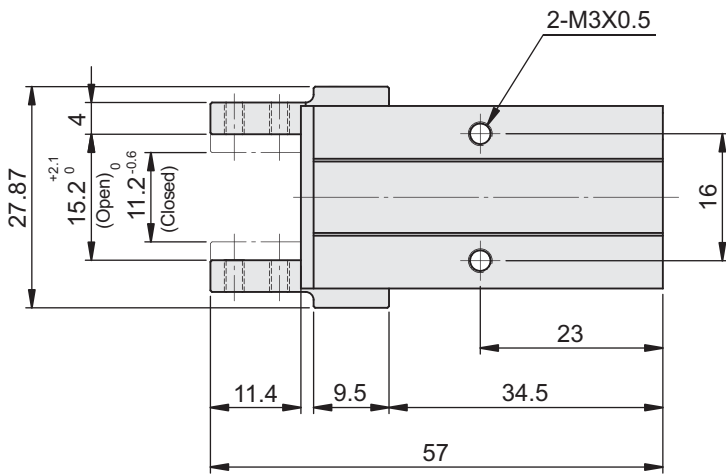
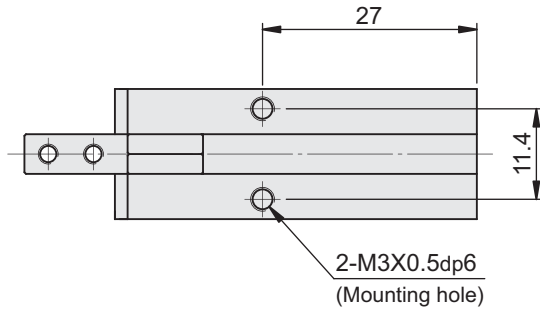
How to order

KHZ	16	TH-F9B	2											
Series	Bore	Reed switch	Switch quantity											
KHZ standard type 	Ø10 Ø16 Ø20 Ø25	<table border="1"> <tr> <td>TH-F9B 2-wire solid state </td> <td>TH-F9BV 2-wire solid state </td> <td rowspan="3">TD11046 Adapter Adapter for tetragonal groove (TH sensor)</td> </tr> <tr> <td>TH-F9N 3-wire NPN type solid state </td> <td>TH-F9NV 3-wire NPN type solid state </td> </tr> <tr> <td>TH-F9P 3-wire PNP type solid state </td> <td>TH-F9PV 3-wire PNP type solid state </td> </tr> </table>	TH-F9B 2-wire solid state 	TH-F9BV 2-wire solid state 	TD11046 Adapter Adapter for tetragonal groove (TH sensor)	TH-F9N 3-wire NPN type solid state 	TH-F9NV 3-wire NPN type solid state 	TH-F9P 3-wire PNP type solid state 	TH-F9PV 3-wire PNP type solid state 	<table border="1"> <tr> <td>1</td> <td>1PC</td> </tr> <tr> <td>2</td> <td>2PCS</td> </tr> </table>	1	1PC	2	2PCS
TH-F9B 2-wire solid state 	TH-F9BV 2-wire solid state 	TD11046 Adapter Adapter for tetragonal groove (TH sensor)												
TH-F9N 3-wire NPN type solid state 	TH-F9NV 3-wire NPN type solid state 													
TH-F9P 3-wire PNP type solid state 	TH-F9PV 3-wire PNP type solid state 													
1	1PC													
2	2PCS													

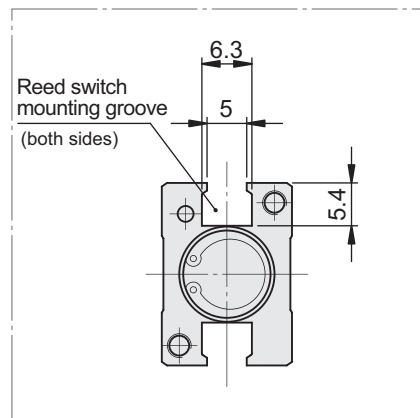
※Please refer to 4 08.01 ~ 4 08.02

External dimensions

KHZ10



Reed switch mounting groove dimensions

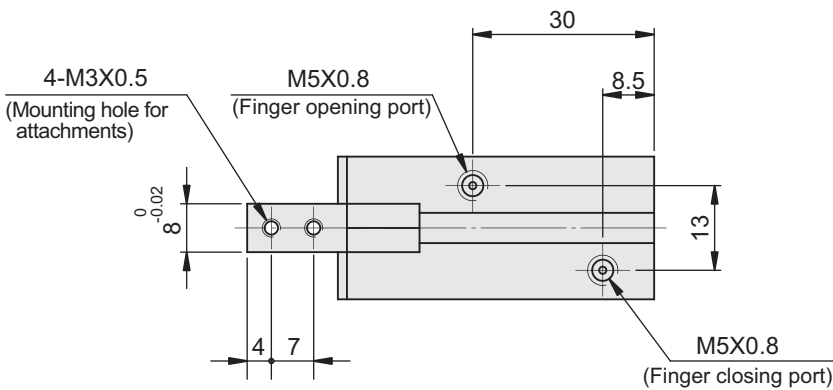
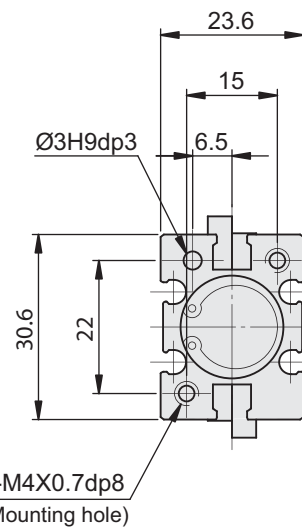
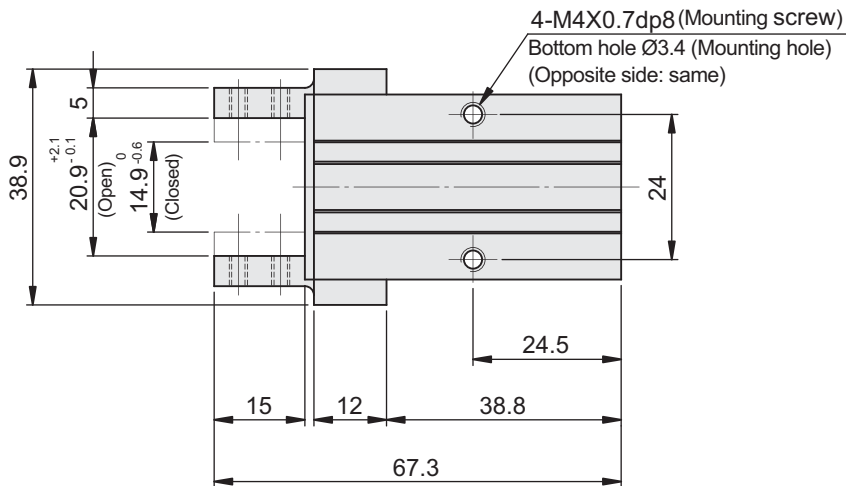
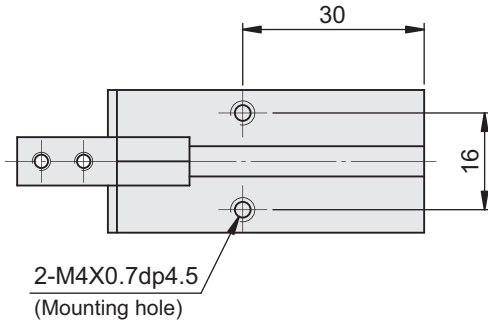


※ only TH sensor with bracket can be mounted.

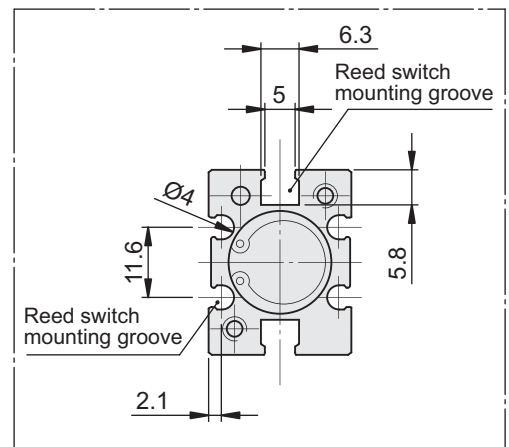


External dimensions

● KHZ16



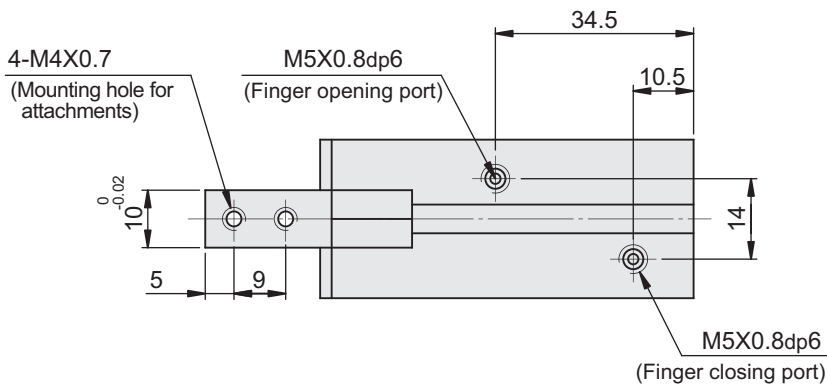
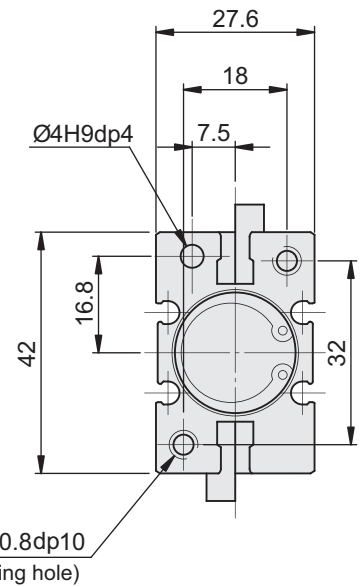
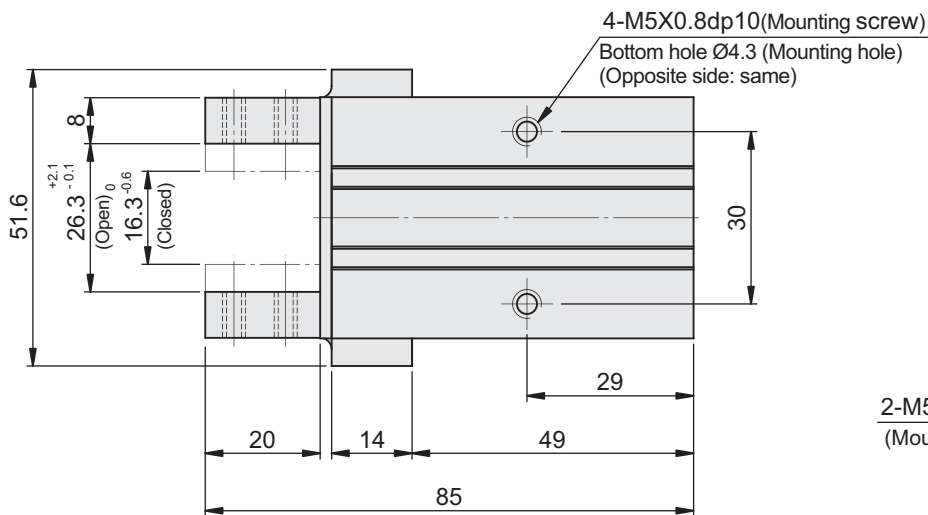
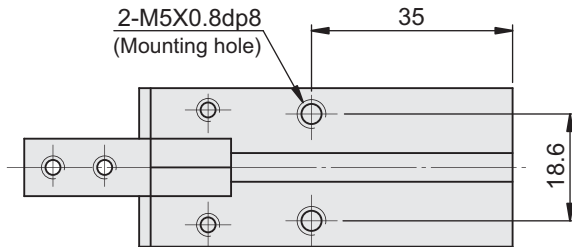
Reed switch mounting groove dimensions



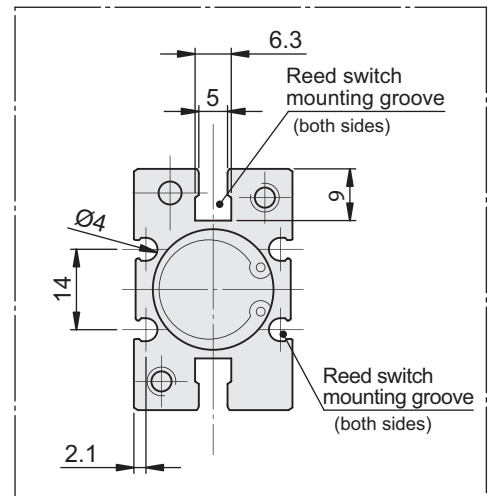
※ When using square type reed switch, through hole mounting is not possible.

External dimensions

KHZ20



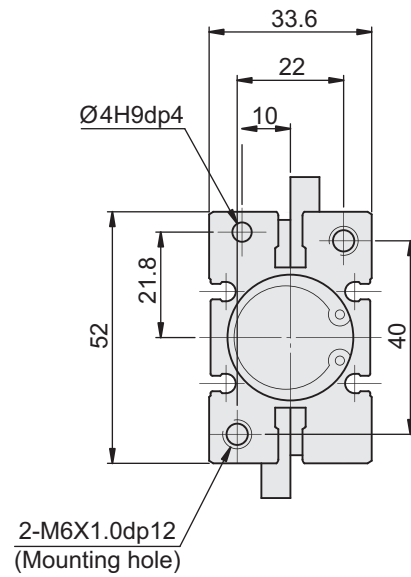
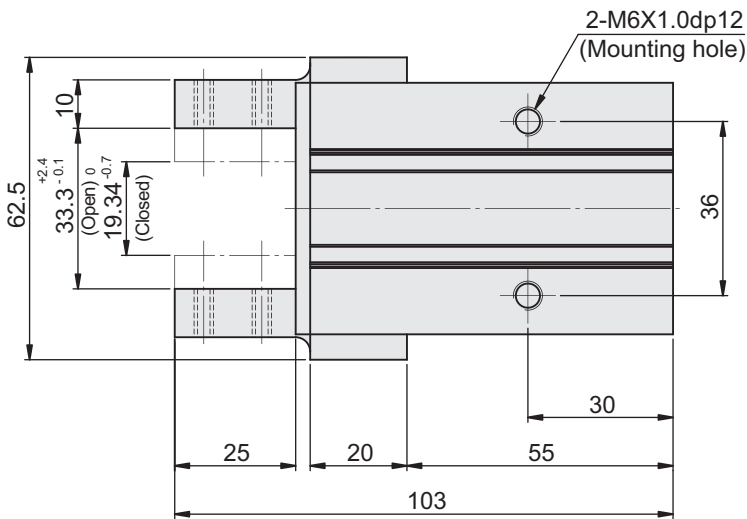
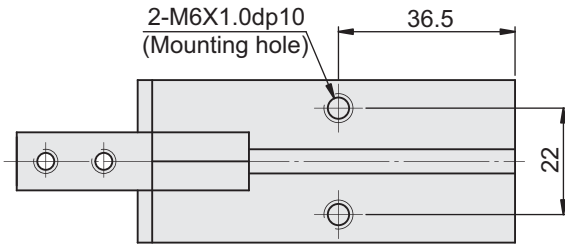
Reed switch mounting groove dimensions



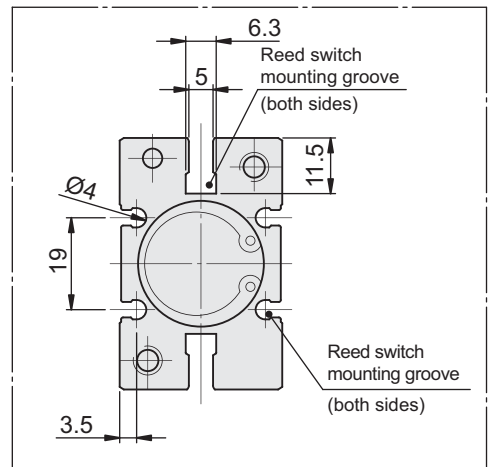
※ When using square type reed switch, through hole mounting is not possible.

External dimensions

KHZ25



Reed switch mounting groove dimensions



※ When using square type reed switch, through hole mounting is not possible.

